

- o Flat Cable Connectors SEK
- o *har-mik®*
- o D-Sub
- o InduCom

Applications



Product details

09 21 007 3031

Male insert, Han 7 D

Series	Han D®, Han D® AV
Number of contacts	7 poles + PE
Size of hood/housing	Han® 3 A
Termination	Crimp termination
Insert material	Standard material
Contacts	Order separately
Housing material	Plastic
Electrical data	10 A 250 V 4 kV 3
RoHS compliant	Yes

Available Downloads

Title	Format	
Data sheet	PDF	download
CAD data 2D	DXF	download
CAD data 3D	IGES	download

Inquiry

5

4

3

2

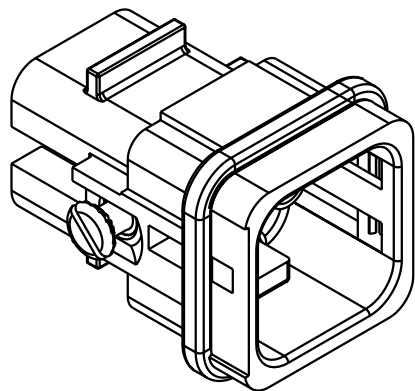
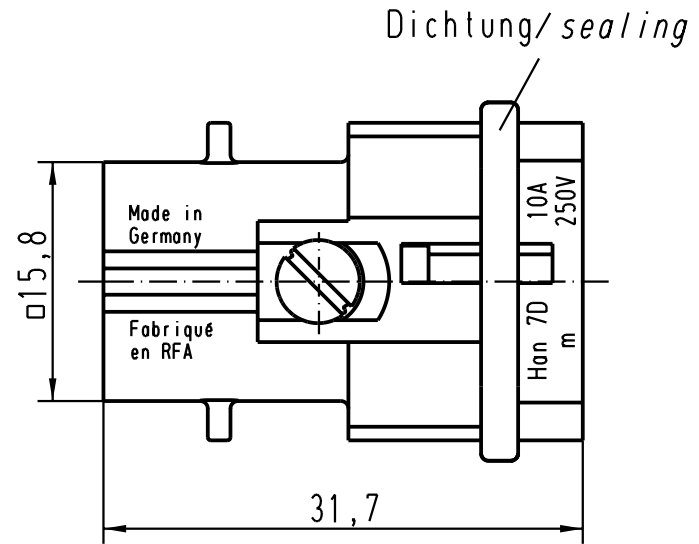
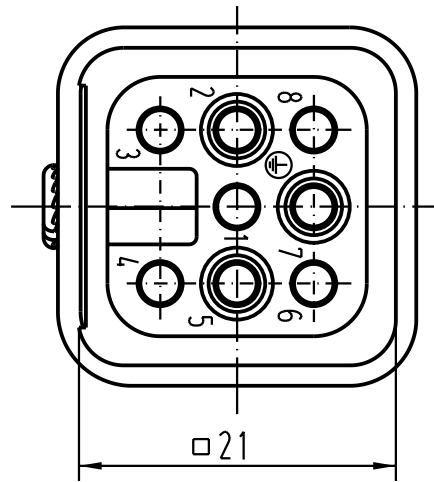
1

D

C

B

A



All Dimensions in mm Original Size DIN A 4			Techn. Character.			Nicht tolerierte Masse/ Free size tolerances		
				Dat.	Name	Massstab/Scale		
			Detail.	25.02.93	PENNER	2:1		
			Insp.		HERB			
			Stand.					
410629	28.11.03	ML	HARTING Electric GmbH & Co. KG			TB 09 21 007 3031		
Mod.	Dat.	Name	D-32339 Espelkamp					
						Blatt/ page		